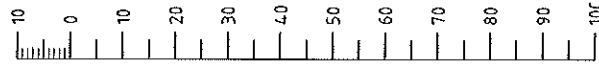


32406

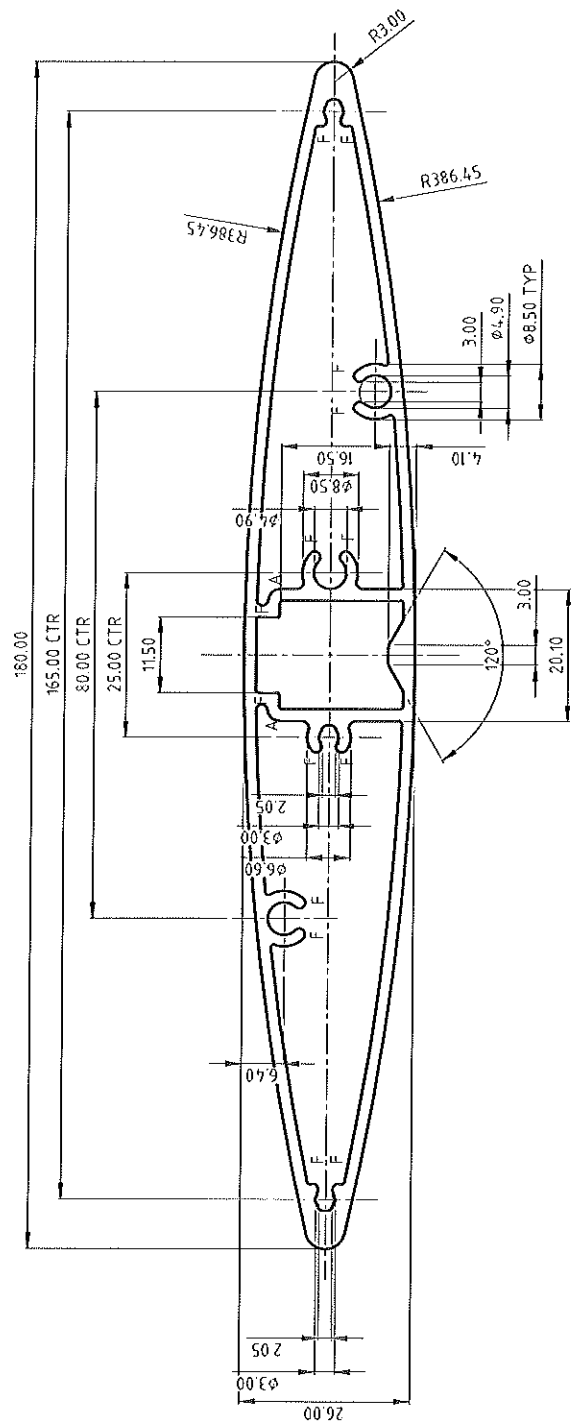
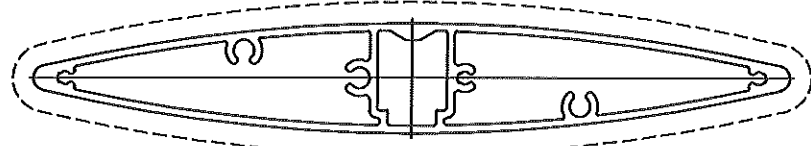
A3 Original Size



<b>INEX</b> INDEPENDENT EXTRUSIONS LTD		Date 16/4/13	Rev 1	Description 4 x SCREW PORTS MODIFIED	Press P2/P2	Die Size 300 PORT	Backer	Scale 1.25:1, 1:1	End Use A5095-1	Insert INS 084	Cavities 1
					Drawn DPS	Agency C0231	Date 15/4/13				M.O.I. mm <sup>2</sup> Ixx: 2155185.5 Iyy: 62473.2

Assemblies With-  
CONCAVITY/CONVEXITY = 0.1mm/25mm SOLIDS.  
CONCAVITY/CONVEXITY = 0.15mm/25mm HOLLOWES.  
UNLESS OTHERWISE STATED

Unless Otherwise Stated, AS1866 Tolerances Apply  
Check Gauge:-



A = 180 RAD  
F = FULL RADIUS  
CRITICAL/EXPOSED SURFACE = - - - - -  
SECONDARY SURFACE = \_\_\_\_\_  
CRITICAL DIMENSION =

Area mm <sup>2</sup>	Weight kg/m	Outer Periphery	Inner Periphery	Alloy / Temper	Customer	Customer Reference	Die Number	Issue
887.1	2.404	369.9	512.8	6060/T5	JOHNSON & COUZINS		32406	
Unspecified Walls 1.80	Unspecified Reds 0.50	Paint Periphery -----	Anodise Periphery 369.9	Circ. Circle 181	Description 180mm LOUVRE	Customer Part N°		





32866

A3 Original Size

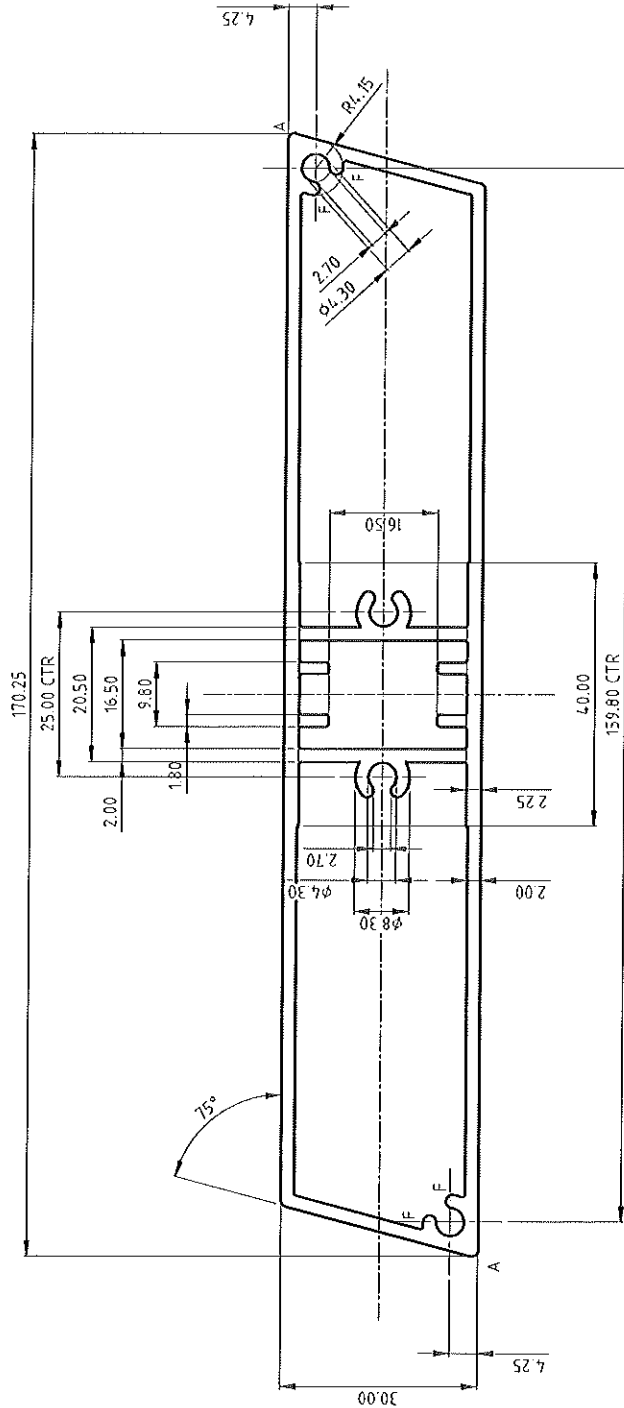
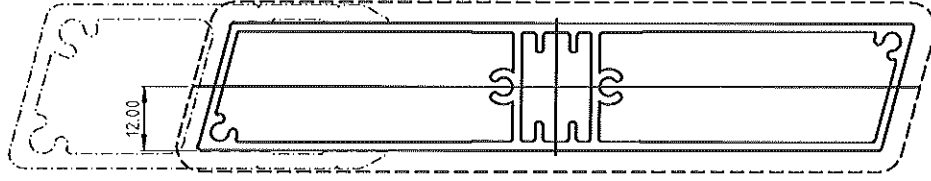


Assembles with:- A6921

CONCAVITY/CONVEXITY = 0.1mm/25mm SOLIDS.  
 CONCAVITY/CONVEXITY = 0.15mm/25mm HOLLOW.  
 UNLESS OTHERWISE STATED

Unless Otherwise Stated, AS1866 Tolerances Apply  
 Check Gauge:-

Date	Rev	Description	Press	Die Size	Backer	Bolster	Insert	Cavities
1			P2/P2	300 PORT		1-2		1
			Drawn	Agency	Date	Scale	End Use	M.O.I. mm <sup>2</sup>
			DPS	C SJ	19/6/15	1.25:1, 1:1	A6920-1	Area: 2390052.81 Iyy: 14.9775.72



A = 1.00 RAD  
 F = FULL RADIUS  
 CRITICAL/EXPOSED SURFACE = - - - - -  
 SECONDARY SURFACE = \_\_\_\_\_  
 CRITICAL DIMENSION =

Area mm <sup>2</sup>	Weight kg/m	Outer Periphery	Inner Periphery	Alloy / Temper	Customer	Customer Reference	Die Number	Issue
986.1	2.672	385.8	546.8	6060/T5	JOHNSON & COUZINS		32866	
Unspecified Walls	Unspecified Reds	Paint Periphery	Anodise Periphery	Circ. Circle	Description	Customer Part N°		
2.00	0.30	-----	385.8	173	170mm BEVAL LOUVRE			